

Installation Instructions

OFD 15mm Herringbone LOC Oak

INTRODUCTION

Congratulations with your new OFD Floor, your 15mm Herringbone LOC Floor requires a 48hr period of acclimatisation. Warranty conditions dictate that the engineered wood flooring is to remain in the sealed packaging prior to the date of installation.

This floor can only be used in dry rooms with normal temperature and air humidity (see our Checklist no. 9 below). This floor is to be installed as a floating floor on a level and solid subfloor. The flooring can be installed on most existing floors, e.g. Wooden floors, pvc, concrete floors. Carpets should be removed. Make sure your concrete subfloor is dry enough before you start.

Use a moisture meter to check that the moisture content of the subfloor is less than 3%. When fitting the flooring on top of under floor heating, remember the conditions are stricter. (OFD always advise you contact the under floor heating supplier/fitter for more details prior to installation). Always use an underlay on top of a concrete floor, it gives a gentler feel underfoot and stops grinding. Clean your flooring with a vacuum cleaner and a well wrung cloth. Remove stains with a suitable specialist wood floor cleaner. In case of questions or problems, please contact your supplier. This flooring is, as any other wooden floor, subject to impressions and scratches. Please take the following precautions to minimise them.

1. Use a good door mat at every entrance (inside and outside) and clean them often.
2. Use soft protective pads for your table and chair legs (do not use a hard adhesive, it will scratch your floor)
3. Put a protective mat under chairs with wheels or replace wheels/casters with same suitable for wood flooring.
4. Clean up any liquid spillages quickly.
5. Be aware that sunlight will intensify the colour of your floor, it is a natural process.

In order to establish a consistency of product a grading and manufacturing tolerance of 5% has been set to allow for de-selection of material if deemed unsuitable for the installation. As this is an intricate installation a minimum of 10% cutting or waste allowance must be calculated and therefore be added to the net square meters required for the site to be installed.

Keep any decent sized off cuts for later repairs, wrap in plastic and tape and keep in a dry warm place

NOT IN GARDEN SHED OR UNHEATED GARAGE.

Note: Keep a record of all your moisture readings for later reference and warranty enquiries. We strongly recommend you keep a record of your moisture and humidity readings prior to installation. These measurements will be required by the manufacturer or supplier if there are any future problems.

CHECK LIST - TOP 10

You will find additional information on these points later in these instructions:

1. If you store the packages in the room where the floor is to be installed prior to installation leave in the packaging
2. This floor is intended for floating installation only. An expansion gap of minimum 10mm should be allowed between the floor and all fixed points, such as walls, stairs, built in furniture, and radiator pipes
3. Check the condition of your subfloor it must be dry (measure moisture always!), clean, firm and even, remove any carpets
4. Choose underlay (read carefully below!) according to your own needs - all floors are unique!
5. Measure the room, decide installation direction. Note the limitations as per below - due to natural behaviour of wood
6. Floor heating - see special advice and requirements – follow the instructions from the under floor heating system supplier.
7. Install according to section E below, Work clean! When removal of incorrectly fitted or damaged boards is necessary please see below – ‘F Special situations’ as to board removal.
8. Check each piece of wood flooring prior to installation, discard any pieces that show visible defects. If you lay it, you have accepted it!
9. Wood flooring and humans like the same climate, i.e. 45-65 % RH at 18-22 °C.
10. Maintain/clean your wood floor correctly and you will enjoy the floor for many years to come.

GENERAL INSTALLATION INFORMATION

Preparation - Tools needed:

Distance wedges, hand block, installation support wedge, hand saw or electric jig-saw, pencil, measuring tape, drill, chisel + hammer, dustpan and brush (to clean as you go along).

Check your sub floor:

Carpets must be removed. You can install our engineered flooring on all kinds of subfloors if they are dry, flat, fixed and clean, for example on old wood floors (install at right angles to existing floor), cement/concrete floors, ceramic tiles, PVC etc. If the subfloor is of other material, please contact your distributor, who will be happy to advise you. The sub floor must be dry: Always measure the moisture content of cement screed /concrete/ anhydrite with professional test instruments and record readings. Cement screed/Concrete needs a long time dry - in worst cases up to one year.

Requirements, moisture content limits.

- For concrete sub floors: max 3% moisture content

Installation Instructions

OFD 15mm Herringbone LOC Oak

PLEASE note that all types of cement screed/concrete/tiles sub floors require a moisture inhibitor - an ageing resistant PE - plastic film, min. 0,20mm thick. (sd - value - 100m) overlapping minimum 15cm under skirting board and tape all joints overlapping 300 mm.

Our wood floors are dried to a moisture content of 8% +/- 2%. Measure and record.

PLEASE note that subfloor construction boards, for example particle board/plywood at time of installation may have too high moisture content (maximum acceptable is 14%). Measure and record all readings. Dry, if necessary or replace with boards of correct moisture content. In ALL cases using plywood/particle board an expansion gap of 3 mm should be left **ALL** round **EVERY** board.

Flat: Measure always with a straight edge. Unevenness of + 2 mm over 2M is unacceptable and should be levelled.

Tip: use a suitable flooring compound to level your sub floor – never use foams or other soft materials. Always check the floor afterwards for evenness.

Firm and Clean: Concrete should always be firm and sound, if crumbly, cracked or soft remedial work is required prior to installation of your OFD flooring. Timber, always check old wooden sub floor nail/screw fixings are sound to eliminate the possibility of unevenness or squeaking. Brush or vacuum clean your sub floor prior to installing - work clean!

CHOOSING YOUR UNDERLAY

Engineered flooring, when floated, must be installed over a minimum of 2 mm foam or poly type underlay. If an acoustic underlay has been installed first, and is suitable according to manufacturers instructions for flooring to be laid directly on top, then a 2 mm foam or poly type underlay is **NOT** necessary. However, if a 1.5 mm cork or bitumen type acoustic barrier is used, then 2 mm foam in particular is recommended to install over same. The foam stops grinding between wood flooring and OSB/Ply etc. underneath. Moisture inhibitors (such as 1000 g. Polythene) will only assist in protecting the floor from residual moisture when the concrete subfloor is 3% or less. An underlay or moisture inhibitor will NOT cover up an inherent moisture problem that should have been addressed prior to installation of your engineered wood floor.

Sound insulation

Sound insulation material must be installed (over the PE-plastic film, if so required). Use flooring paper, 2 mm cork, HD-foams (over 30 kg/m³) 2-3 mm or other approved Underlay materials. Check with your supplier.

Under floor heating

Installation over under floor heating - some important guidelines to follow.

Maximum allowed temperature on top of the floor underneath the floorboards is 27 °C. Please note that normal loose carpets/rugs insulate i.e. increase the floor surface temperature by about 2 °C!

Important: Follow the heating regulation recommendations given by the under floor heating system supplier.

INSTALLATION PREPARATIONS

I) General

Measure the area before installation and decide on the installation direction. It is recommended to install the boards in the direction of the main source of light. The width of the last row shall be not less than 100mm. If so, adjust the width of the first board to be installed to compensate. Remember, measure twice! Cut once! In narrow hallways/corridors, install the floor parallel to walls.

II) Floating Installation

Your floor is made to be installed floating without glue: Leave an expansion gap of min 10mm around the entire perimeter of the room (use the distance wedges), i.e. also around pipes, stairs, columns, door frames and thresholds and built in furniture. The above 10mm expansion gap only applies up to a maximum of 10 metre long and 10 metre wide, if the room is over this, allow for an extra expansion gap to be covered with a profile of wood or metal. This floor is designed for floating only and **MUST** be able to move freely, – do not fix or install tight to any fixed construction as above. Rooms with off square areas like for example L-, F-, T-, and U-shapes, separate the areas with a covered expansion gap, especially in door openings. Contact your supplier for further information regarding installation. Claims of visibly defective floor boards must be made prior to installation. Each board should be inspected to ensure that the quality is acceptable. No claims relating to surface defects can be accepted after installation. If you lay it, you have accepted it.

INSTALLATION METHODS

Method 1: “Panel by panel” see below guidelines for installation alternatives

Install 1st row as described in method 1 above.

As per figure 9 complete the first 4 full rows and adjust flooring to position as starting rows. (Please note the below 2 alternative methods to choose from).

It may be required to use glue to fix the smaller starting/finishing boards to both sides and room ends in order to hold them in place if not sufficient weight enables the LOC system to fully secure these items.

Installation Instructions

OFD 15mm Herringbone LOC Oak

Remember to use spacers (see pictures below) at the perimeter of the installation in order to keep the flooring square to the room.

Others: Your floor can very easily be disassembled, which enables replacement during installation and also during use.

See section F below. You can use the floor immediately after installation. The skirting's (mouldings) must be fixed to the walls (never to the floor).

AFTER THE INSTALLATION

Room climate – humidifier or dehumidifier required?

At all times, the recommended relative humidity (RH) of 45-65 % and temperature of 18-22 °C in the room should be maintained. If necessary install a humidifier/dehumidifier to ensure the best climate for yourself, your furniture and your wood floor. If the climate is not maintained as above or the floor is not correctly installed as per foregoing instructions, then because of seasonal variations in temperature and humidity, the floor may show fine gaps or some tension in the floor, which you can hear with foot fall. These are temporary phenomena, but if they persist, get your fitter to return and relieve the pressure/source of the problem.

CLEANING AND MAINTENANCE

The floor should be cleaned by using a vacuum-cleaner (attachment for wood floors) or brushed. If required, wipe with a damp-dry (well squeezed) cloth. Use a mild soap. Any liquid accidentally spilled must be wiped off immediately, otherwise it will stain.

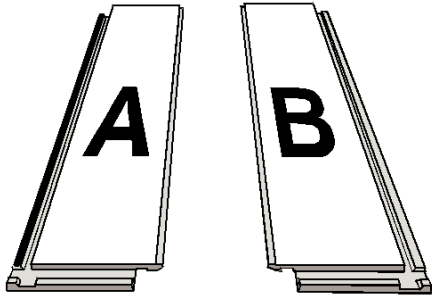
FLOOR PROTECTION

Use a good doormat at every entrance, inside and out, and clean them often. Use soft protective pads for your table and chair legs.

Installation Instructions

OFD 15mm Herringbone LOC Oak

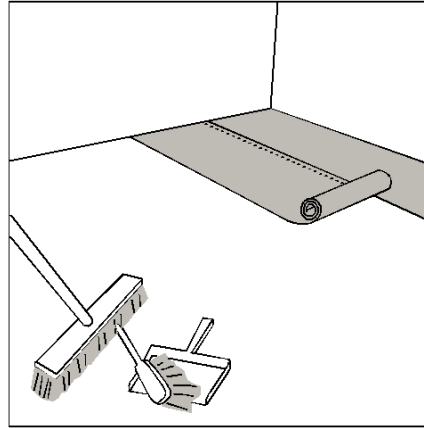
INSTALLATION GUIDE



A and B Panels

Two different types of panels are used to install the herringbone pattern.

These panels are referred to as A- and B-panels. Please separate A and B panels into 2 separate stacks prior to commencing with the installation.



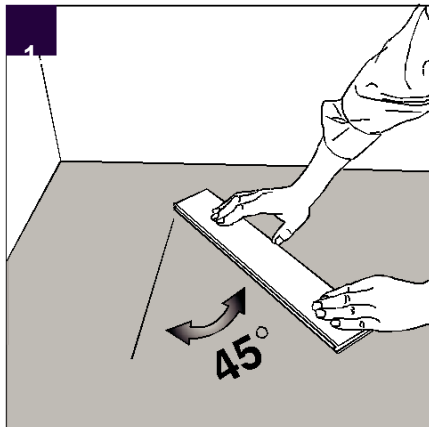
Preparations:

Check the panels and make sure that the surface has no transport damaging before you start. After cleaning the subfloor you can roll over the vapour barrier and underlay material. The vapour barrier has to overlap minimum 20cm.



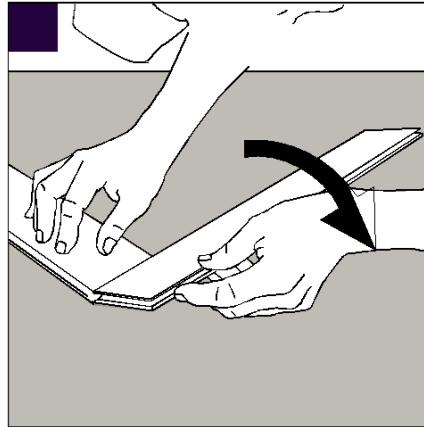
Door mouldings and skirting's:

Put a panel (with the decorative side down) next to the door moulding and saw as shown in the figure. Then slide the panel under the moulding.



1. Getting started.

Choose a wall to start at and begin installing at the left corner. Start with an A-panel and place it with its long side marking facing the left wall at an angle of 45°. Make sure that the distance between the left wall and the panel is less than the length of one panel.

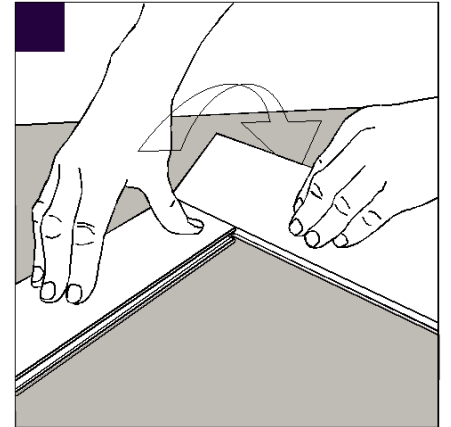


2. Connect next panel

Continue with a B-panel. Press the long side of the B-Panel at an angle against the short side of the previous installed A panel.

Fold down the B-panel flat to the floor to lock the panels tightly together.

Check that the grooves on the two panels form a continuous line.



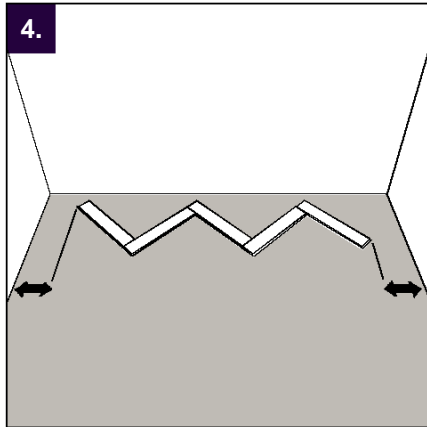
3. Connect additional panels

Next panel is an A-panel. Again, press the long side of the new A-panel at an angle against the short side of the previous B-panel and fold down. Continue like this with as many panels as may fit along the starting wall.

Installation Instructions

OFD 15mm Herringbone LOC Oak

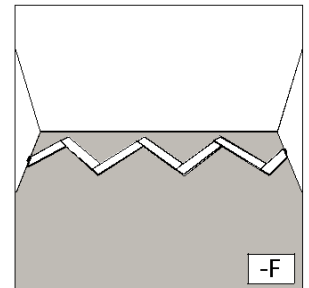
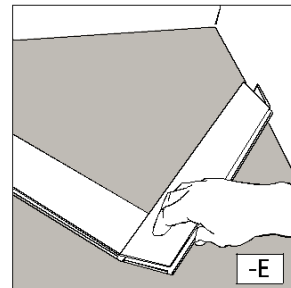
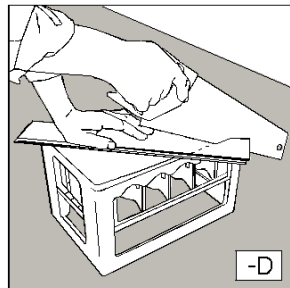
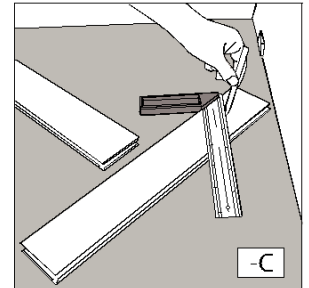
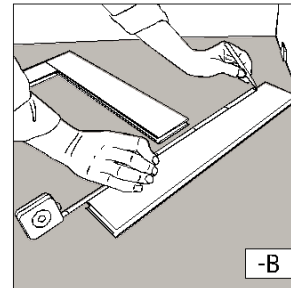
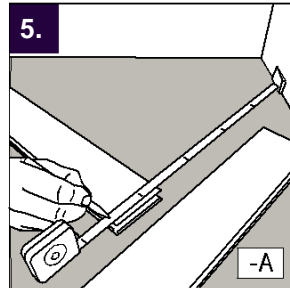
INSTALLATION GUIDE



4. Center the first row

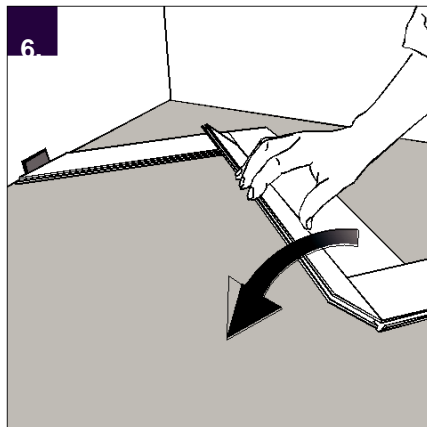
Check that the first row of panels is centered along the starting wall.

Make sure that the distance to the walls on both sides are less than the length of one panel. If not, add a panel at the right side.



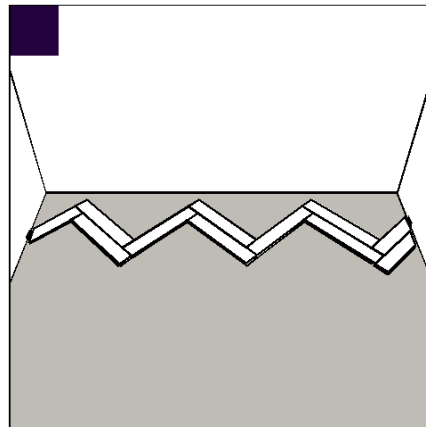
5. Cut the end panels to size

Measure and cut the end panels to size using a fine-toothed saw. Finish the first row with the cut end panels. Make sure that you leave a gap of 10mm to each wall.



6. Start the second row

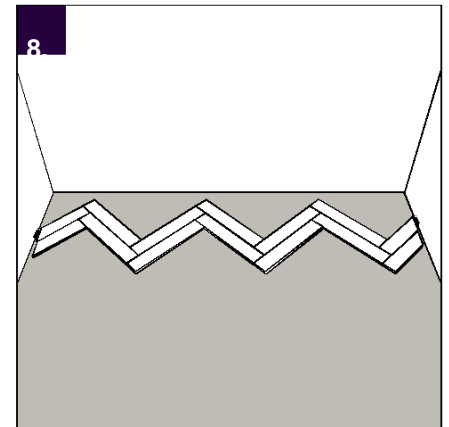
Start the next row with an A-panel. Place the new panel against the previous row and fold down.



7. Install the A-panels

Continue from the left to the right and install all the A-panels in the second row.

Finish with a piece of panel cut to size (step 5).



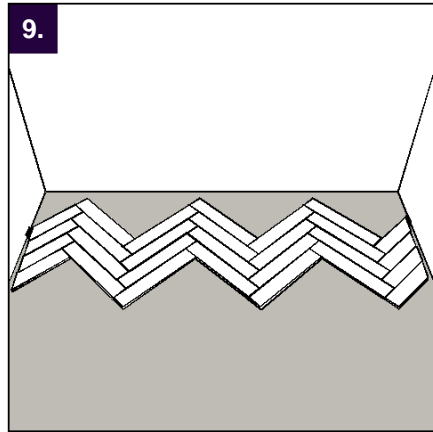
8. Continue with the B-panels

Now work in the opposite direction, from the right to the left and install all the B panels in the second row. Finish with a piece of panel cut to size (step 5).

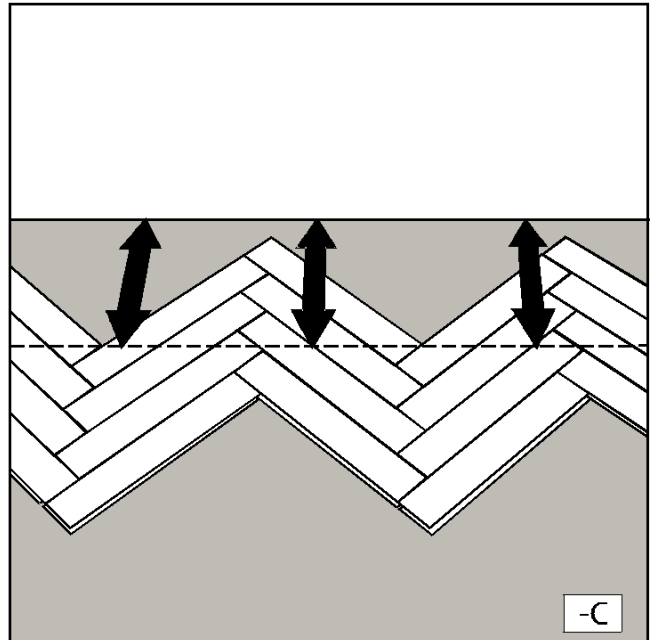
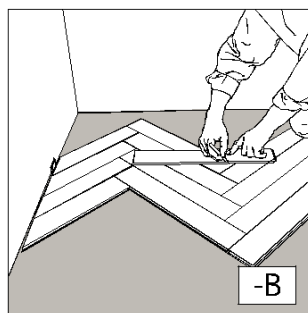
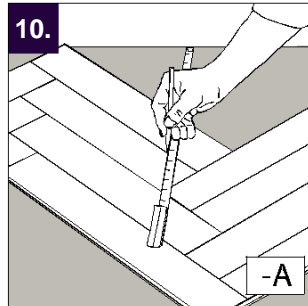
Installation Instructions

OFD 15mm Herringbone LOC Oak

INSTALLATION GUIDE

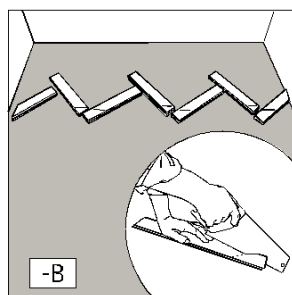
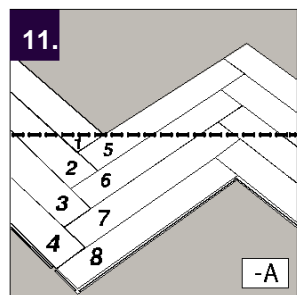


9. Complete four rows
Install additional rows to complete four full rows.



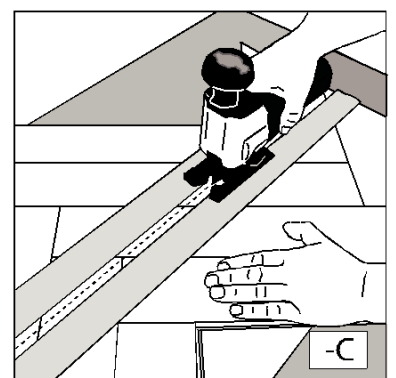
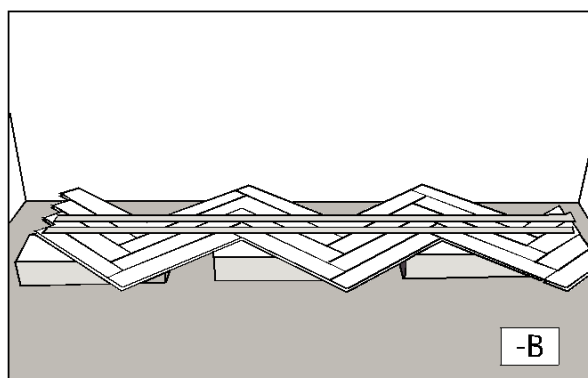
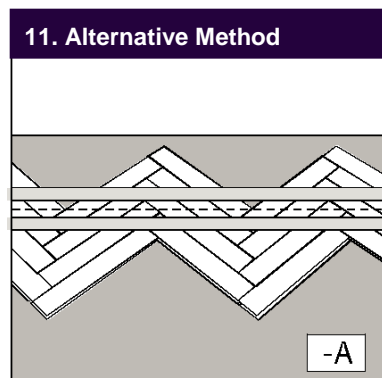
10. Adjust the starting rows

The first four rows have to be cut parallel to the wall. Measure and mark where to cut the floor panels at a fixed / parallel distance to the wall.



11. Dismantle and cut

Number the panels from 1 to This will allow you to keep the panels in order. Dismantle the panels and cut them to size along the previous marked line.



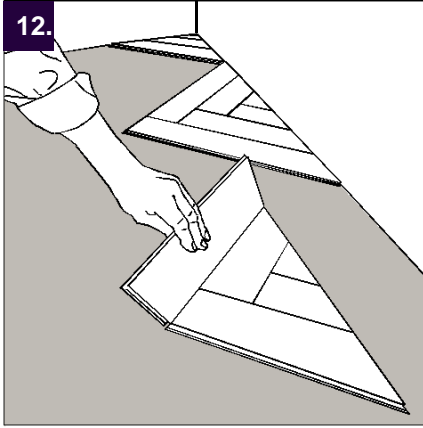
11. Alternative way to cut the first rows

Leave the left end-panels uninstalled. Tape along the marked line and place the flooring on top of a few flooring packages. Cut along the marked line. Then put the adjusted rows into place. Complete the first rows by installing the remaining end-panels. Start with the end-panel in the last row and finish at the first row

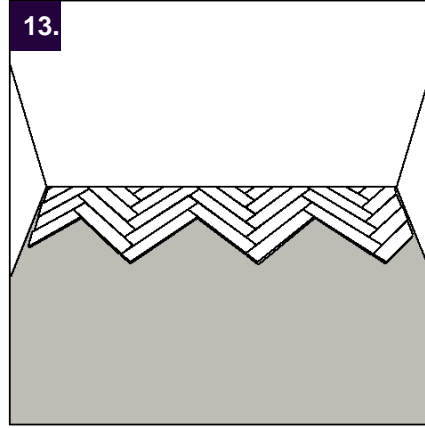
Installation Instructions

OFD 15mm Herringbone LOC Oak

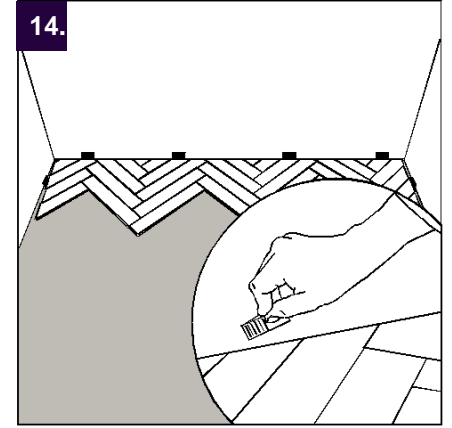
INSTALLATION GUIDE



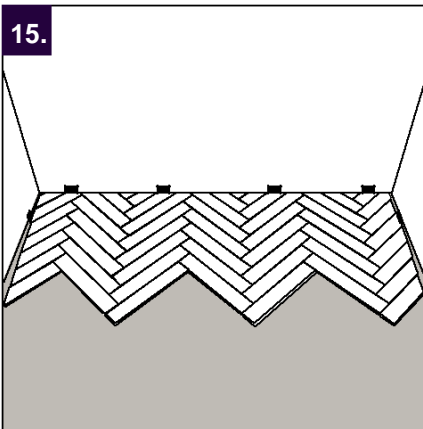
12. Install the starting triangles
Connect the cut starting panels to form triangular shapes, one by one. Start installing the triangles from the left corner. It is recommended to use glue to fix the smallest parts of the triangles into place by applying a small quantity of glue inside the groove.



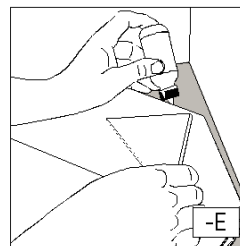
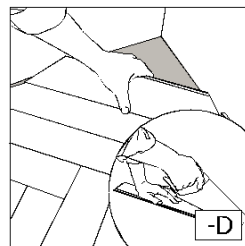
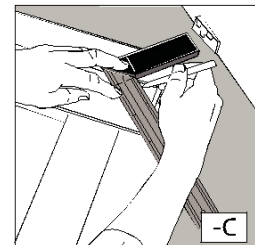
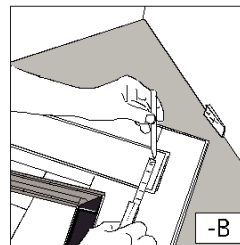
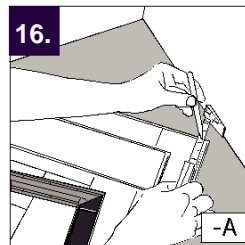
13. Install a few more rows Connect the triangles by installing a few additional rows of panels. Start each row from the left to the right with the A-panels, finish with the cut piece of panel (step 5) and then install all the B-panels in the row. Finish with the left end panel, cut to size.



14. Put in spacers
Put in spacers between the flooring and the wall to ensure an expansion gap of 10mm

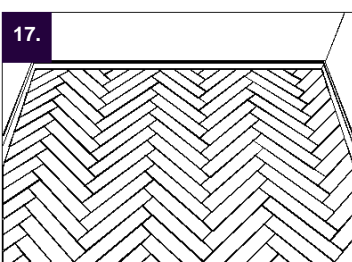


15. Subsequent rows
Start each subsequent row by installing the A-panels from the left to the right and complete the row by laying the B-panels from the right to the left.



16. Last row
Measure and cut the panels in the last row to size.

It is recommended to use glue to install the smallest pieces of panels. Apply a small quantity of glue inside the groove.



17. Spacers and skirting
Remove the spacers and cover the expansion gap with skirting boards or beadings.

Warranty Information

OFD 15mm Herringbone LOC Oak

WARRANTY UK

1. Manufacturer is responsible for manufacturing defects.
2. The warranty lasts for 15 years starting from the date of purchase. The original invoice is proof of date of purchase.
3. OFD flooring must be installed correctly according to the above mentioned instructions. The warranty covers normal domestic use. The warranty does not cover the use in damp and wet spaces, such as conservatories, bathrooms and kitchens.
4. Floor boards showing visible defects should not be installed. It is the responsibility of the owner/fitter to deselect these boards at time of installation. These boards are to be allowed for in the 10% waste tolerance. Boards with visible defects that are installed as such are excluded from this warranty. Colour and grade de-selection is not allowed for as this is personal choice and not a defect in manufacture.
5. Finished flooring, i.e. lacquered, stained, oiled, brushed, or other finished flooring is subject to normal domestic wear and is not covered by this warranty, i.e. if you don't maintain the floor correctly, the warranty is null and void.
6. Excluded under this warranty are: scratches, heavy impacts, humidity, and damage caused by incorrect use or lack of correct maintenance.
7. If you have a defect which falls under the conditions mentioned in this warranty, you should report this to your dealer in writing within 14 days after detecting the defect. In your letter you should include a copy of the invoice.
8. The warranty provided only relates to the floor boards supplied, consequently it does not include labour costs, the costs of additional material and any other consequential loss.
9. In case of a dispute arising from the warranty, either party may call upon an independent expert to render binding advice. In the event that this clause is applicable, the cost of same shall be agreed on in writing by all parties involved in advance.
10. Inspection costs that may apply to climatic or pre-installation checks must be covered by the installer.
11. The 15 year warranty period will continue from original date of purchase and will not be affected by subsequent resolution of any complaint.
12. Where the warranty applies, the manufacturer or its distributors will replace the faulty floor boards. In case the product in question is no longer available, the manufacturer will ensure replacement by an alternative product of the same quality.
13. This warranty shall apply only to the original owner/purchaser of this wood floor.

WARRANTY WILL NOT BE APPLICABLE IN CASE OF:

The floor not having been fitted in accordance with the instructions by a properly qualified installer.


The faults were noticeable prior to the floor being fitted. Defects and/or faults that have arisen due to dampness and/or water damage, the calamite being outside of the manufactures

instructions or by any other instance as a result of force majeure. Defects and/or faults having been caused by improper use or negligence and failure to use the product for its intended purpose, as well as having been caused by having disregarded the instructions with respect to installation, use and maintenance. Visual faults having arisen as a result of any deformation of the floor boards due to changed climate conditions, any variations in colour due to the influence of sunlight and the effects of regular aging and/or wear and tear of the finishing coat.

Stains or mechanical damage of the surface (scratches and dents etc.) resulting from improper treatment during transport, storage and any damage caused by stiletto heels, furniture, stones, sand, pets etc.

MANUFACTURING TOLERANCE

ENGINEERED HARDWOOD FLOORS ARE A NATURAL PRODUCT AND AS SUCH ARE SUBJECT TO MANY VARIANCES IN COLOUR AND CHARACTER IN EACH INDIVIDUAL PIECE OF FLOORING, WE ALWAYS THEREFORE RECOMMEND YOU WORK FROM 3-4 PACKS OF FLOORING AT A TIME IN ORDER TO GET THE BEST NATURAL COLOUR MIX. AS SUCH A TOLERANCE OF 5% SHOULD BE ALLOWED FOR THE DESELECTION OF ANY MATERIAL DEEMED UNSUITABLE FOR INSTALLATION. THIS PRODUCT IS PRODUCED WITH A MANUFACTURING TOLERANCE OF + OR - 1.5% ON THE DIMENSION OF THE BOARD AND IN LINE WITH SPECIFIED TIMBER MANUFACTURING GUIDELINES, AS SUCH ANY ITEMS OUT OF TOLERANCE SHOULD BE DISMISSED AS PART OF THE 5% MANUFACTURING TOLERANCE.

	EN 14342:2005+A1:2008 Engineered Flooring with LOC for interior use	
	Reaction to fire linked with the minimum mean density and minimum overall thickness	Df1-S1 15mm 620 kg/m3
Emission (release) of formaldehyde	E1	
Emission of pentachlorophenol	<5ppm	
Breaking strength (max. load) and span	1.9KN / 400mm	
Slipperiness	NPD	
Thermal conductivity	0.13 W/(mk)	
Biological durability:	Class 1	

Grading Specification

OFD 15mm Herringbone LOC Oak

Grade	PRIME	AB	NATURAL	STANDARD	VINTAGE
Description	Mixed texture, best appearance, selected to assure uniformity in colour.	Mixed texture, with colour variations, no splits, holes or voids.	Mixed texture, wavy grain with colour variations, presence of knots or different dimensions.	Mixed texture, wavy grain with frequent even big knots, however filled. Sapwood may also be present.	Mixed texture, wavy grain with different dimensions of knots, splits however filled. Sapwood may also be present.
Factory Grade	AB	ABC	ABCD	CD	CDE
Grading Mix	A:B = 50%:50%	AB:C = 30%:70%	AB:CD = 30%:70%	C:D = 50%:50%	CD:E = 90%:10%

	A	B	C	D	E
Live Knot	3 allowed diameter ≤5mm	3 allowed diameter ≤10mm	3 allowed diameter ≤20mm	Not restricted	Not restricted
Factory Grade	Not allowed	2 allowed diameter ≤5mm, sparse	2 allowed diameter ≤15mm, sparse	5 allowed, diameter ≤50mm	5 allowed, diameter ≤50mm
Holes	Not allowed	Not allowed	Not allowed	2 allowed every 1000mm in board length, diameter < 30mm	Not restricted
Sapwood	Not allowed	≤10% of plank's width (mending)	≤20% of plank's width (mending)	≤30% of plank's width (mending)	Not restricted
Colour Variation	Not allowed	Natural and Harmonic	Natural and Harmonic	High Contrast is not allowed	Not restricted
Rot	Not allowed	Not allowed	Not allowed	Not allowed	Not allowed
Inbark	Not allowed	Not allowed	Not allowed	2 allowed every 1000mm in board length, size <40mm x 5mm (mending)	3 allowed every 1000mm in board length, size <80mm x 5mm (mending)
Pith	Not allowed	Not allowed	Not allowed	Not allowed	Not allowed
Splits / Cracks	Not allowed	Not allowed	Not allowed	End splits, Size ≤15cm x 3mm (mending) Central splits, 2 allowed, Size ≤15cm x 3mm (mending)	End splits, Size ≤ 20cm x 3mm (mending) Central splits, 2 allowed, Size ≤20cm x 3mm (mending)
Brown Line	Not allowed	Not allowed	4 allowed, sparse, length ≤15mm width 3mm	4 allowed, sparse, length ≤30mm width 5mm	6 allowed, sparse, length ≤30mm width 5mm
Stains	Not allowed	Not allowed	Not allowed	Not allowed	Slight
Wormholes	Not allowed	Not allowed	Not allowed	Not allowed	Not allowed
Wane	Not allowed	Not allowed	Not allowed	Not allowed	Not allowed
Discolouration	Not allowed	Not allowed	Not allowed	Slight and Natural	Slight and Natural

*all grading is subject to a tolerance of +/- 5%

Please consult the end label of the box to confirm the grade of material you have purchased.

